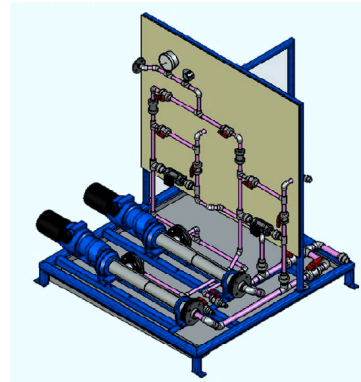


LS (lime skid)



石灰乳，糊化淀粉造纸助剂加药系统



lime milk powered activated carbon slip injection

- compact unit, ready to run
- standardized skid
- integration costs reduction
- less risks of deposits and fillings

Application:

This skid is designed to inject products which are difficult to implement (deposit in pipings abrasiveness) such as lime or activated carbon

Examples of application :ph correction-heavy metal precipitation-etc

Operation:

- Injection of the lime milk with external information(ex;PH control)
- Permutation on the stand-by pump
- Cleaning the pumps and the line-flushing facility

Equipment

Moineau or delasco pump

Manual or automatic operation

1 or 2 duty pumps with stand pump

Integration of the control accessories and security system

Options:

- Sss(dry run protection)
- Pressureswitch
- Flowmeter
- Hight pressure detector
- Manometer
- Drip tray
- Junction box
- Control Panel

- 泵设备集成供应，结构紧凑,随时随地可以运行，减少采购周期。
- 标准接口：管螺纹，法兰，卫生卡箍。
- 成套供应，设备稳定可靠，制造成本大大降低
- 现配现用，减少沉淀物和填充物的风险

应用:

这个撬装的设计，是用来添加一些一些很难实现（沉淀在管道系统中有磨损性）的介质，例如石灰乳或糊化淀粉，絮凝剂等

典型应用:ph 值校正-重金属沉淀物等等

运行:

- 注入石灰乳的同时与外部信息结合(比如,PH 值控制)
- 备用泵的排列，有一开一备份，两开一备份，三开两备等组合，以适应不同组合的介质添加
- 清洗泵和管路-冲洗设施

设备:

- 单螺杆或隔膜计量泵
- 手动或自动操作
- 1 开 1 备或 2 开一备多种组合
- 集成的控制配件和安全系统

其它:

- Sss(干运行保护)
- 压力开关
- 流量计,定量桶
- 高压力探测器
- 压力表
- 滴盘
- 接线盒
- 控制面板